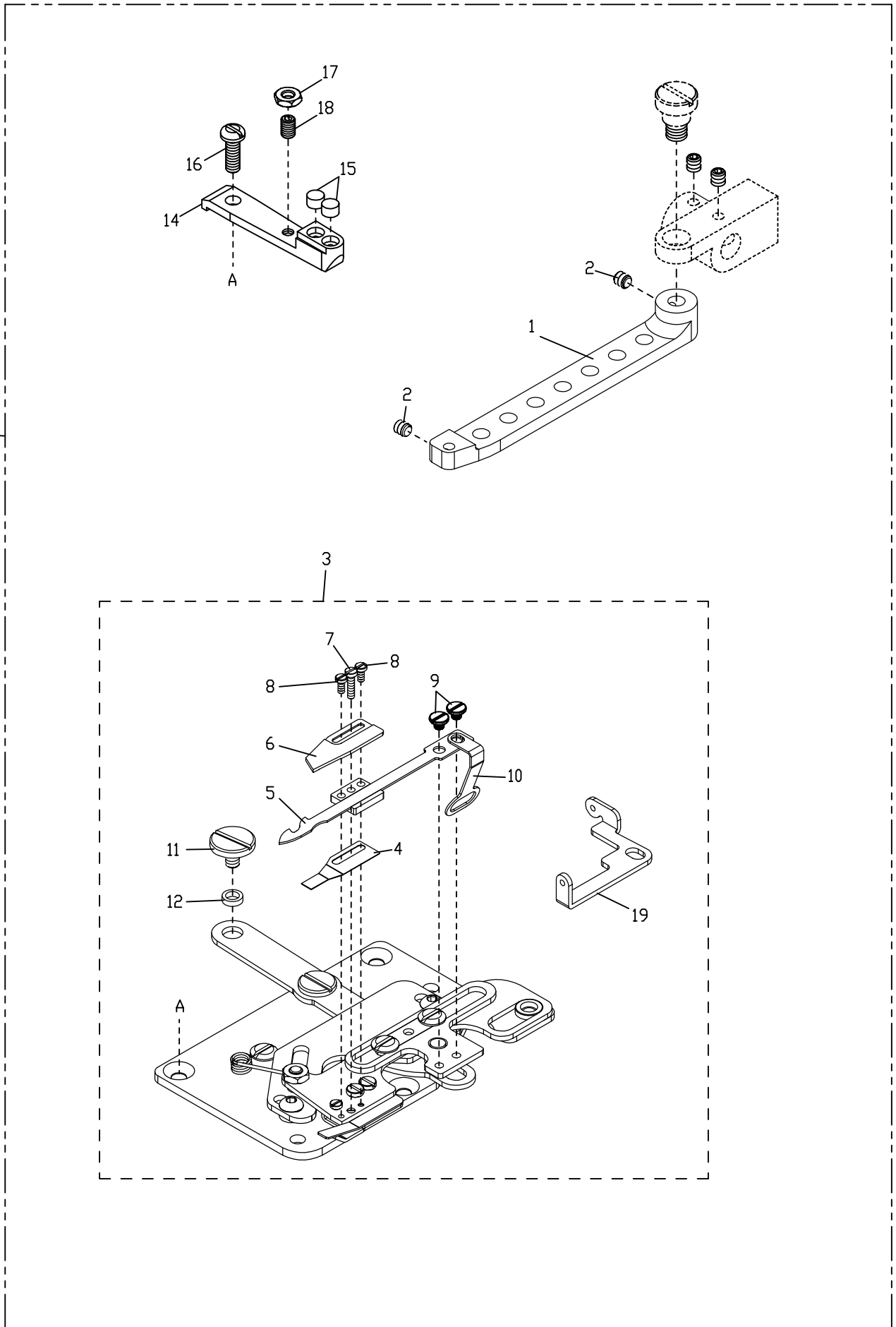


1. UTD06 / UTD06B / UTD08 / UTD08B / UTD08F / UTD08BF / UTE06 / UTE08  
 UTE08F 下切線機構 Under Trimmer Components

13



1. UTD06 / UTD06B / UTD08 / UTD08B / UTD08F / UTD08BF / UTE06 / UTE08

UTE08F 下切線機構 Under Trimmer Components

序號 Ref. No.	物料編號 Parts No.	名稱 Description	單位用量 Amt.Req.
1	4UTD060101	連結桿 Connecting Rod -----	1
2	8MN04280400A	螺絲 Screw (CT0229 M4-0.7*4)-----	2
3	UTD06-S-0103	下切線組 Under Trimmer Components -----	1
4	UTD06-S-0104	簧片 Clamp Spring -----	1
5	UTD06-S-0105	活動刀片 Lower Movable Knife -----	1
6	UTD06-S-0106	固定刀片 Lower Fixed Knife -----	1
7	UTD06-S-0107	螺絲 Screw -----	1
8	UTD06-S-0108	螺絲 Screw -----	2
9	8MB03200306X	螺帽 Nut (UTB0436 M3-0.5*3)-----	2
10	UTD06-S-0110	導線 Thread Guide Eyelet -----	1
11	UTD06-S-0111	螺絲 Screw -----	2
12	UTD06-S-0112	隔環 Spacer -----	2
13	4UTD06A0113	下切線組 Under Trimmer Components -----	1
14	4UTD060375	磁鐵座 Magnet Base -----	1
15	2270000202	磁鐵 Magnet -----	2
16	8MB04281207K	螺絲 Screw (CT0239 M4-0.7*12)-----	1
17	8MA04280207A	螺帽 Nut (STC02-01-02 M4-0.7*2.5)-----	1
18	8MN04280600A	螺絲 Screw (CT1223 M4-0.7*6)-----	1
19	UTD06-S-0119	導線 Thread Guide Eyelet -----	1

UTD06 / UTE06 : 用於 FT7000 機型

UTD06B : 用於FT7060 機型

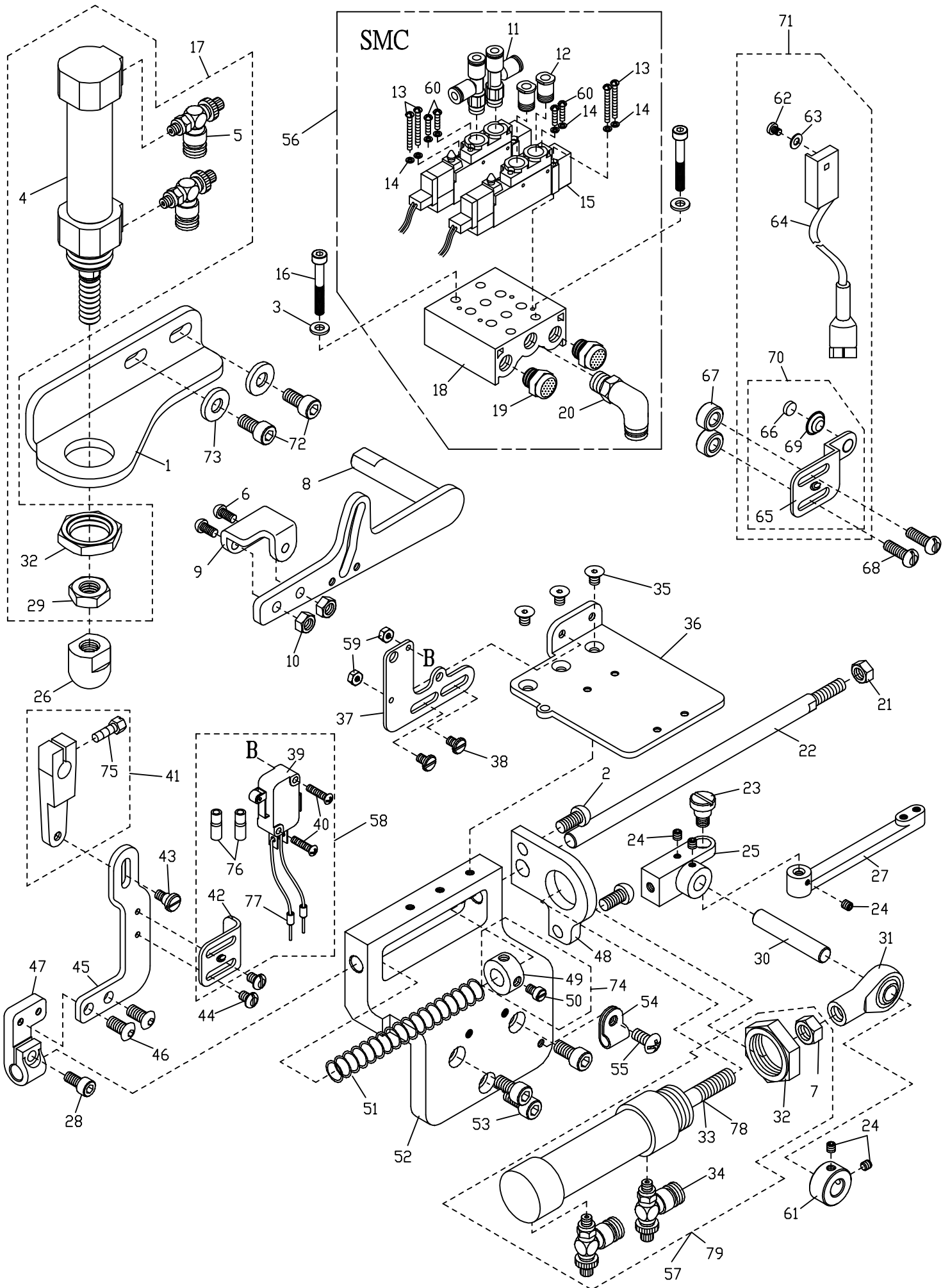
UTD08 / UTE08 : 用於FTD7000 機型

UTD08B : 用於FTD7060 機型

UTD08F / UTE08F : 用於FTU7000 機型

UTD08BF : 用於FTU7060 機型

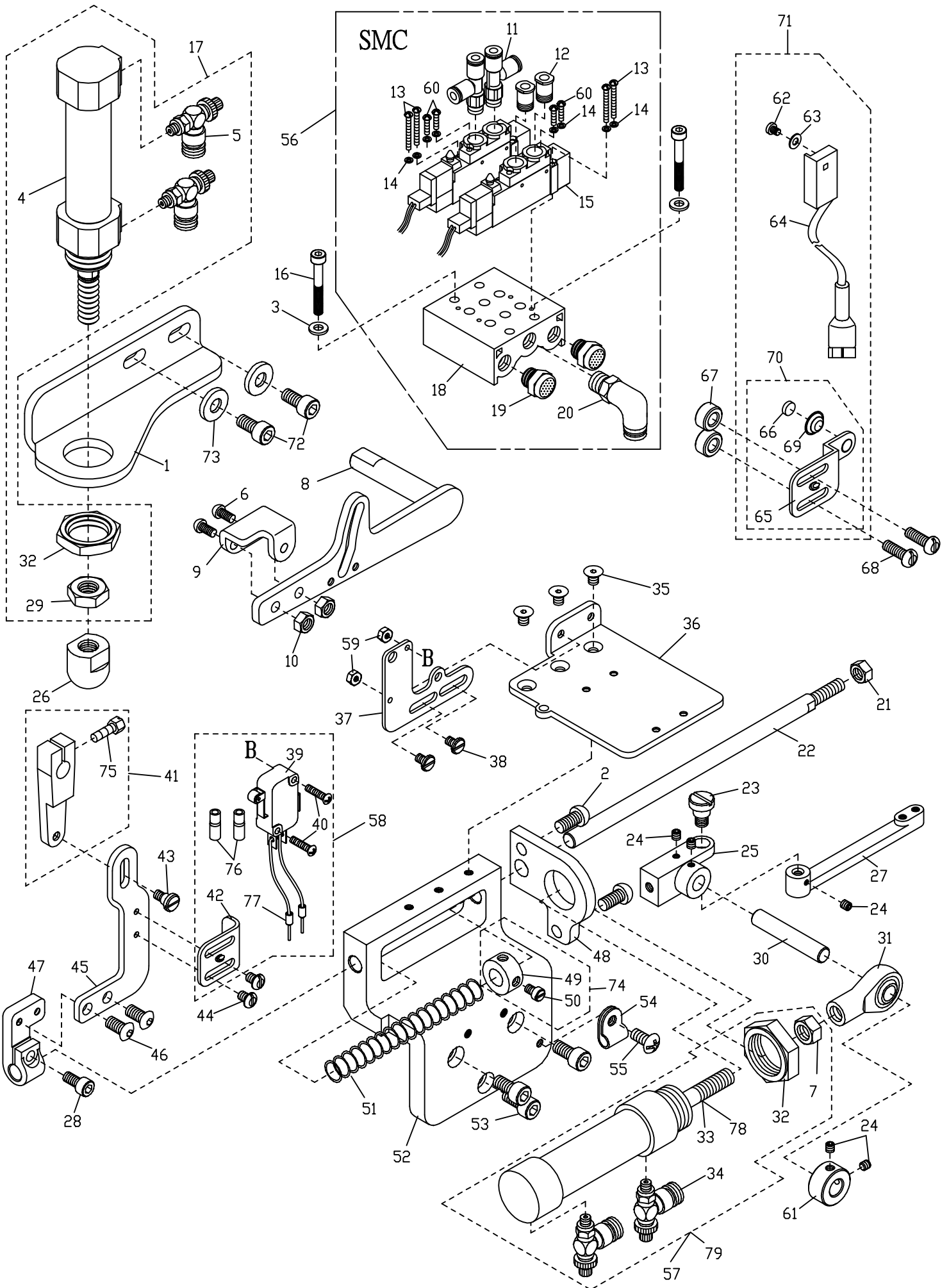
## 2. UTD02/UTD04/UTD06/UTD06B 空壓組件 Compressed Air Components



## 2. UTD02/UTD04/UTD06/UTD06B 空壓組件 Compressed Air Components

序號 Ref. No.	物料編號 Parts No.	名稱 Description	單位用量 Amt.Req.
1	4UTD020201	固定座 Bracker -----	1
2	8MP06401211A	螺絲 Screw (UTB0302 M6-1*12) -----	2
3	90SW040	彈簧墊圈 Spring Washer -----	2
4	4UTB030223	氣壓缸 Cylinder -----	1
5	4UTB000305	節流閥 Speed Controller -----	2
6	8MP05321210A	螺絲 Screw (UTB0340 M5-0.8*11.5) -----	2
7	8MA08500613A	螺帽 Nut (RP10208 M8-1.25*6) -----	1
8	4UTC000108	揚昇臂 Lifter Arm -----	1
9	4UTC000109	輔助板 Supplementary Plate -----	1
10	8MA05320408A	螺帽 Nut (CT1028 M5-0.8*4) -----	2
11	4UTB010311S	空氣管接頭 Connector -----	2
12	4UTB010312S	空氣管接頭 Connector -----	2
13	4UTB010313S	螺絲 Screw-----	4
14	4UTB010314S	彈簧墊圈 Spring Washer -----	8
15	4UTB010315S	換向閥 Electromagnetic Valve -----	2
16	8MM04283007B	螺絲 Screw (UTB01-03-16 M4-0.7*30) -----	2
17	4UTB03A0217	氣壓缸組 Cylinder Asm-----	1
18	4UTB010318S	換向閥座 Electromagnetic Valve Base -----	1
19	4UTG010319S	消音器 Silencer -----	2
20	4UTB020266S	空氣管接頭 Elbow Connector -----	1
21	8MA08500513A	螺帽 Nut (FTC10126 M8-1.25*5) -----	1
22	4UTD000222	軸 Shaft -----	1
23	4UTD000223	螺椿 Stud -----	1
24	8MN04280400A	螺絲 Screw (CT0229 M4-0.7*4)-----	-
25	4UTD000225	承座 Plunger -----	1
26	4PFE010113	套管 Clutch Sleeve -----	1
27	4UTD0002271	連結桿 Connecting Rod -----	-
28	8MM05321209A	螺絲 Screw (FT0524 M5-0.8*12) -----	1
29	8MA10600617A	螺帽 Nut -----	1
30	4UTB0003251	軸 Shaft -----	1
31	4UTD000231	球軸連桿 Plunger Connecting Rod -----	1
32	8MA22600627A	螺帽 Nut -----	2
33	4UTD000233	氣壓缸 Cylinder -----	-
34	4UTB000344	節流閥 Speed Controller -----	2
35	8MQ04280808A	螺絲 Screw (UTB0109 M4-0.7*8) -----	3
36	4UTD020236	基板 Base -----	1
37	4UTC020114	安全開關座 Safety Switch Bracket -----	1
38	8MB04280608A	螺絲 Screw (UTB0130 M4-0.7*6) -----	2
39	4UTB000336	安全開關 Safety Switch -----	1
40	8MC03201606D	螺絲 Screw (UTB03351 M3-0.5*16) -----	2

## 2. UTD02/UTD04/UTD06/UTD06B 空壓組件 Compressed Air Components



## 2. UTD02/UTD04/UTD06/UTD06B 空壓組件 Compressed Air Components

序號 Ref. No.	物料編號 Parts No.	名 Description	稱	單位用量 Amt.Req.
41	4UTB010337	曲柄 Tension Release Lever		1
42	4UTB020212	擋片 Stopper		1
43	8MB04280908G	螺椿 Stud (UTB0339 M4-0.7*8)		1
44	8MB04280507K	螺絲 Screw (FT0235 M4-0.7*5)		2
45	4UTD020245	連桿 Connecting Plate		1
46	8MP05320810A	螺絲 Screw (STB0117 M5-0.8*8)		2
47	4UTD020247	連結塊 Connecting Block		1
48	4UTD000248	氣缸座 Cylinder Barcket		1
49	4UTB010245	定位環 Collar		1
50	8MC95300606F	螺絲 Screw (CT0823 M4.5-0.75*5)		1
51	4UTB000346	彈簧 Spring		1
52	4UTD000252	空壓組件座 Trimming Cylinder Support		1
53	8MM06401210A	螺絲 Screw (FT1103 M6-1*12)		3
54	4UTD000254	線夾 Cord Clamp		1
55	8MC04280807D	螺絲 Screw (CT0130 M4-0.7*8)		1
56	4UTB01A03491S	換向閥組 Electromagnetic Valve Asm.		1
57	4UTD01A0257	氣壓缸組 Cyliner Asm		-
58	4UTB02A0255	觸控支架組 One Touch Type Safety Switch SET.		1
59	8MA03200306A	螺帽 Nut (FTB0111 M3-0.5*3)		2
60	4UTB010362S	螺絲 Screw		4
61	4UTB010152	定位環 Collar		1
*62	8SB44400507A	螺絲 Screw		1
*63	2200001025	墊圈 Washer		1
*64	4UTB020256	安全開關 Safety Switch		1
*65	4UTB020259	支架 Knife Holder Bracket		1
*66	4UTB000444	磁鐵 Magnet		1
*67	2200001141	隔環 Spacer		2
*68	8MB04281207K	螺絲 Screw (CT0239 M4-0.7*12)		2
*69	4UTB020250	銅扣 Brass Button		1
*70	4UTB02A0249	支架組 Knife Holder Bracket Asm.		1
*71	4UTB02A0253	磁控支架組 Magnetic Type Safety Switch SET.		1
72	8MM06401510A	螺絲 Screw (MT0845 M6-1*15)		2
73	2100000323	墊圈 Washer		2
74	4UTB01A0255	定位環組 Collar Asm		1
75	8MK95301407A	螺絲 Screw (CT0837 M4.5-0.75*14)		1
76	4UTB020228	絕緣套管 Bushing		2
77	4UTB020272	公端子 Power cord		2
78	4UTD060278	氣壓缸 Cylinder		-
79	4UTD06A0279	氣壓缸組 Cyliner Asm		-

\* 磁控支架組用 For Magne

\* 須配合伺服馬達使用 (型號 : HVP-60,HVP-70) Should be used together with AC servo motor (Model : HVP-60,HVP-70)

機型 Model UTD02 / UTD04

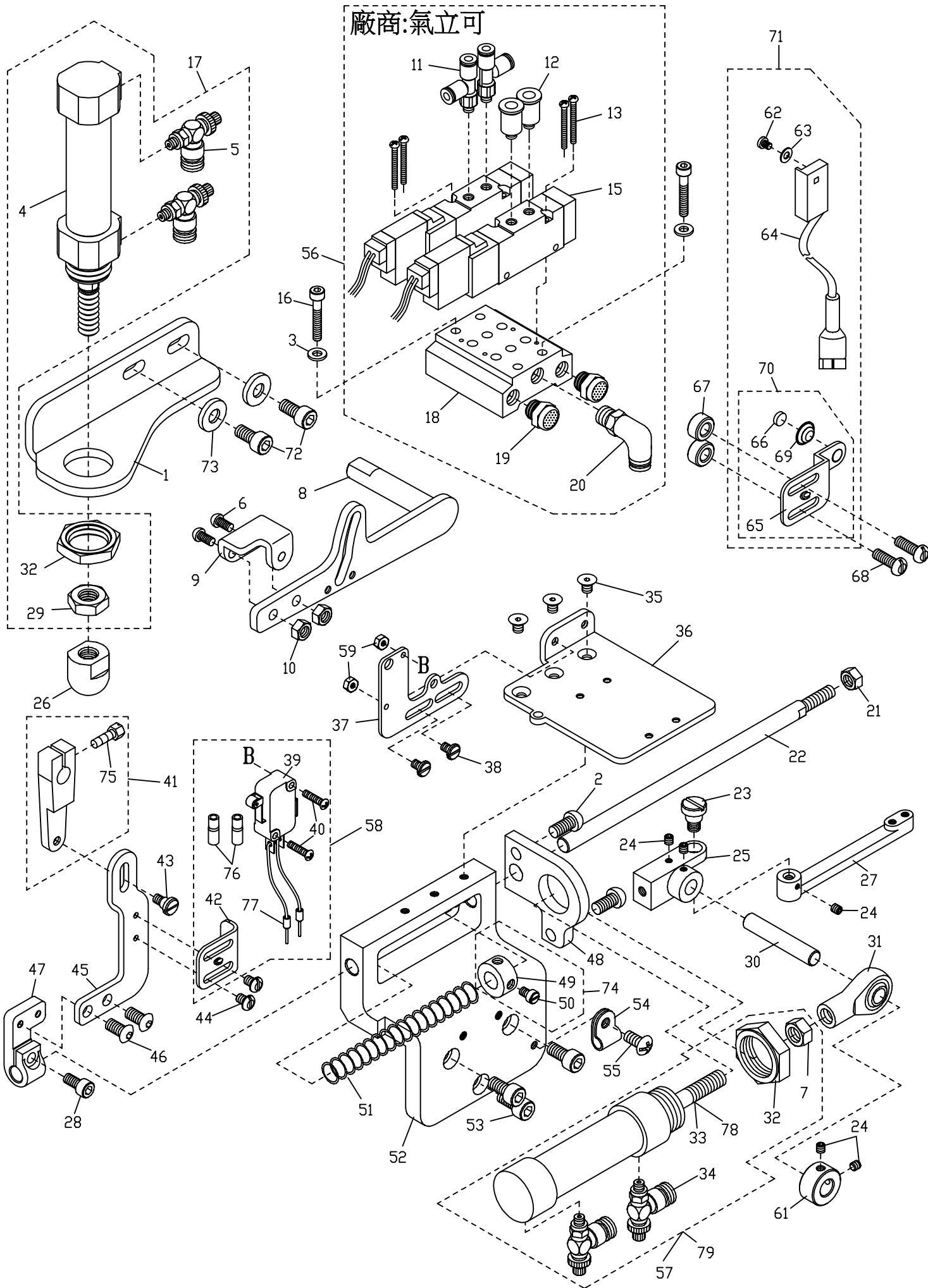
序號 Ref.No.	24	27	33	57
用量 Req.	5	1	1	1

機型 Model UTD06 / UTD06B

序號 Ref.No.	24	27	78	79
用量 Req.	4	-	1	1

### 3. UTD02C/UTD04C/UTD06C/UTD06BC 空壓組件 Compressed Air Components

廠商:氣立可



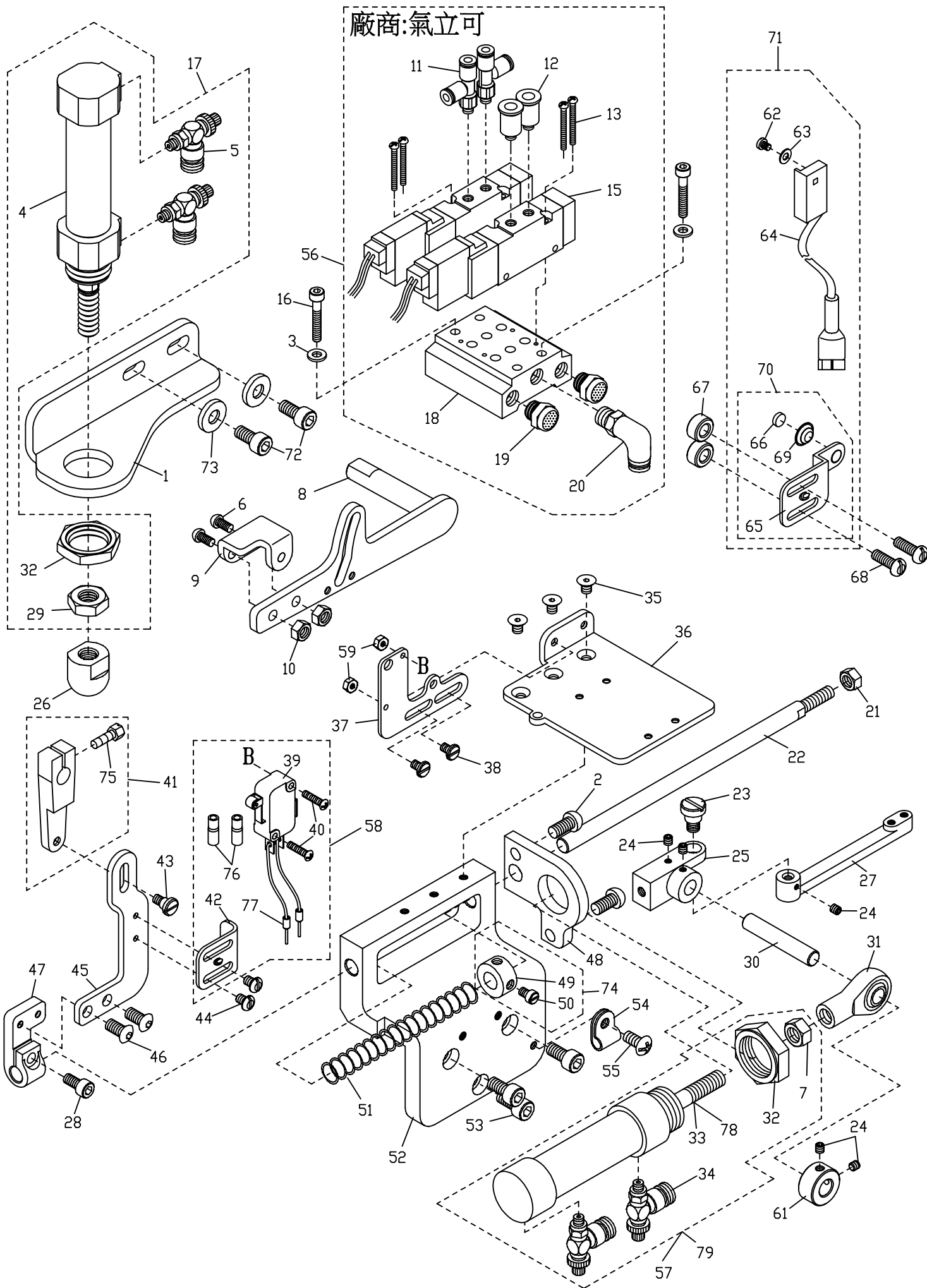
### 3. UTD02C/UTD04C/UTD06C/UTD06BC 空壓組件 Compressed Air Components

序號 Ref. No.	物料編號 Parts No.	名稱 Description	單位用量 Amt.Req.
1	4UTD020201	固定座 Bracker -----	1
2	8MP06401211A	螺絲 Screw (UTB0302 M6-1*12) -----	2
3	90SW040	彈簧墊圈 Spring Washer -----	2
4	4UTB030223	氣壓缸 Cylinder -----	1
5	4UTB000305	節流閥 Speed Controller -----	2
6	8MP05321210A	螺絲 Screw (UTB0340 M5-0.8*11.5) -----	2
7	8MA08500613A	螺帽 Nut (RP10208 M8-1.25*6) -----	1
8	4UTC000108	揚昇臂 Lifter Arm -----	1
9	4UTC000109	輔助板 Supplementary Plate -----	1
10	8MA05320408A	螺帽 Nut (CT1028 M5-0.8*4) -----	2
11	4UTB0103111	空氣管接頭 Connector -----	2
12	4UTB0103121	空氣管接頭 Connector -----	2
13	4UTB0103131	螺絲 Screw (UTB0313 M2.5*0.45*25)-----	4
14	-----	-----	-
15	4UTB0103151	換向閥 Electromagnetic Valve -----	2
16	8MM04282507B	螺絲 Screw (FT0719 M4-0.7*25) -----	2
17	4UTB03A0217	氣壓缸組 Cylinder Asm-----	1
18	4UTB0103181	換向閥座 Electromagnetic Valve Base -----	1
19	4UTG010319	消音器 Silencer -----	2
20	4UTB0202661	空氣管接頭 Elbow Connector -----	1
21	8MA08500513A	螺帽 Nut (FTC10126 M8-1.25*5) -----	1
22	4UTD000222	軸 Shaft -----	1
23	4UTD000223	螺椿 Stud -----	1
24	8MN04280400A	螺絲 Screw (CT0229 M4-0.7*4)-----	-
25	4UTD000225	承座 Plunger -----	1
26	4PFE010113	套管 Clutch Sleeve -----	1
27	4UTD0002271	連結桿 Connecting Rod -----	-
28	8MM05321209A	螺絲 Screw (FT0524 M5-0.8*12) -----	1
29	8MA10600617A	螺帽 Nut -----	1
30	4UTB0003251	軸 Shaft -----	1
31	4UTD000231	球軸連桿 Plunger Connecting Rod -----	1
32	8MA22600627A	螺帽 Nut -----	2
33	4UTD000233	氣壓缸 Cylinder -----	-
34	4UTB000344	節流閥 Speed Controller -----	2
35	8MQ04280808A	螺絲 Screw (UTB0109 M4-0.7*8) -----	3
36	4UTD020236	基板 Base -----	1
37	4UTC020114	安全開關座 Safety Switch Bracket -----	1
38	8MB04280608A	螺絲 Screw (UTB0130 M4-0.7*6) -----	2
39	4UTB000336	安全開關 Safety Switch -----	1
40	8MC03201606D	螺絲 Screw (UTB03351 M3-0.5*16) -----	2



### 3. UTD02C/UTD04C/UTD06C/UTD06BC 空壓組件 Compressed Air Components

廠商:氣立可



### 3. UTD02C/UTD04C/UTD06C/UTD06BC 空壓組件 Compressed Air Components

序號 Ref. No.	物料編號 Parts No.	名稱 Description	單位用量 Amt. Req.
41	4UTB010337	曲柄 Tension Release Lever -----	1
42	4UTB020212	擋片 Stopper -----	1
43	8MB04280908G	螺樁 Stud (UTB0339 M4-0.7*8) -----	1
44	8MB04280507K	螺絲 Screw (FT0235 M4-0.7*5) -----	2
45	4UTD020245	連桿 Connecting Plate -----	1
46	8MP05320810A	螺絲 Screw (STB0117 M5-0.8*8) -----	2
47	4UTD020247	連結塊 Connecting Block -----	1
48	4UTD000248	氣缸座 Cylinder Barcket -----	1
49	4UTB010245	定位環 Collar -----	1
50	8MC95300606F	螺絲 Screw (CT0823 M4.5-0.75*5) -----	1
51	4UTB000346	彈簧 Spring -----	1
52	4UTD000252	空壓組件座 Trimming Cylinder Support -----	1
53	8MM06401210A	螺絲 Screw (FT1103 M6-1*12) -----	3
54	4UTD000254	線夾 Cord Clamp -----	1
55	8MC04280807D	螺絲 Screw (CT0130 M4-0.7*8) -----	1
56	4UTB01A03492	換向閥組 Electromagnetic Valve Asm.-----	1
57	4UTD01A0257	氣壓缸組 Cyliner Asm-----	-
58	4UTB02A0255	觸控支架組 One Touch Type Safety Switch SET. -----	1
59	8MA03200306A	螺帽 Nut (FTB0111 M3-0.5*3) -----	2
60	-----	-----	-
61	4UTB010152	定位環 Collar -----	1
*62	8SB44400507A	螺絲 Screw -----	1
*63	2200001025	墊圈 Washer -----	1
*64	4UTB020256	安全開關 Safety Switch -----	1
*65	4UTB020259	支架 Knife Holder Bracket -----	1
*66	4UTB000444	磁鐵 Magnet -----	1
*67	2200001141	隔環 Spacer -----	2
*68	8MB04281207K	螺絲 Screw (CT0239 M4-0.7*12) -----	2
*69	4UTB020250	銅扣 Brass Button -----	1
*70	4UTB02A0249	支架組 Knife Holder Bracket Asm.-----	1
*71	4UTB02A0253	磁控支架組 Magnetic Type Safety Switch SET. -----	1
72	8MM06401510A	螺絲 Screw (MT0845 M6-1*15) -----	2
73	2100000323	墊圈 Washer -----	2
74	4UTB01A0255	定位環組 Collar Asm-----	1
75	8MK95301407A	螺絲 Screw (CT0837 M4.5-0.75*14) -----	1
76	4UTB020228	絕緣套管 Bushing -----	2
77	4UTB020272	公端子 Power cord -----	2
78	4UTD060278	氣壓缸 Cylinder -----	-
79	4UTD06A0279	氣壓缸組 Cyliner Asm-----	-

\* 磁控支架組用 For Magnc

\* 須配合伺服馬達使用 (型號 : HVP-60,HVP-70) Should be used together with AC servo motor (Model : HVP-60,HVP-70)

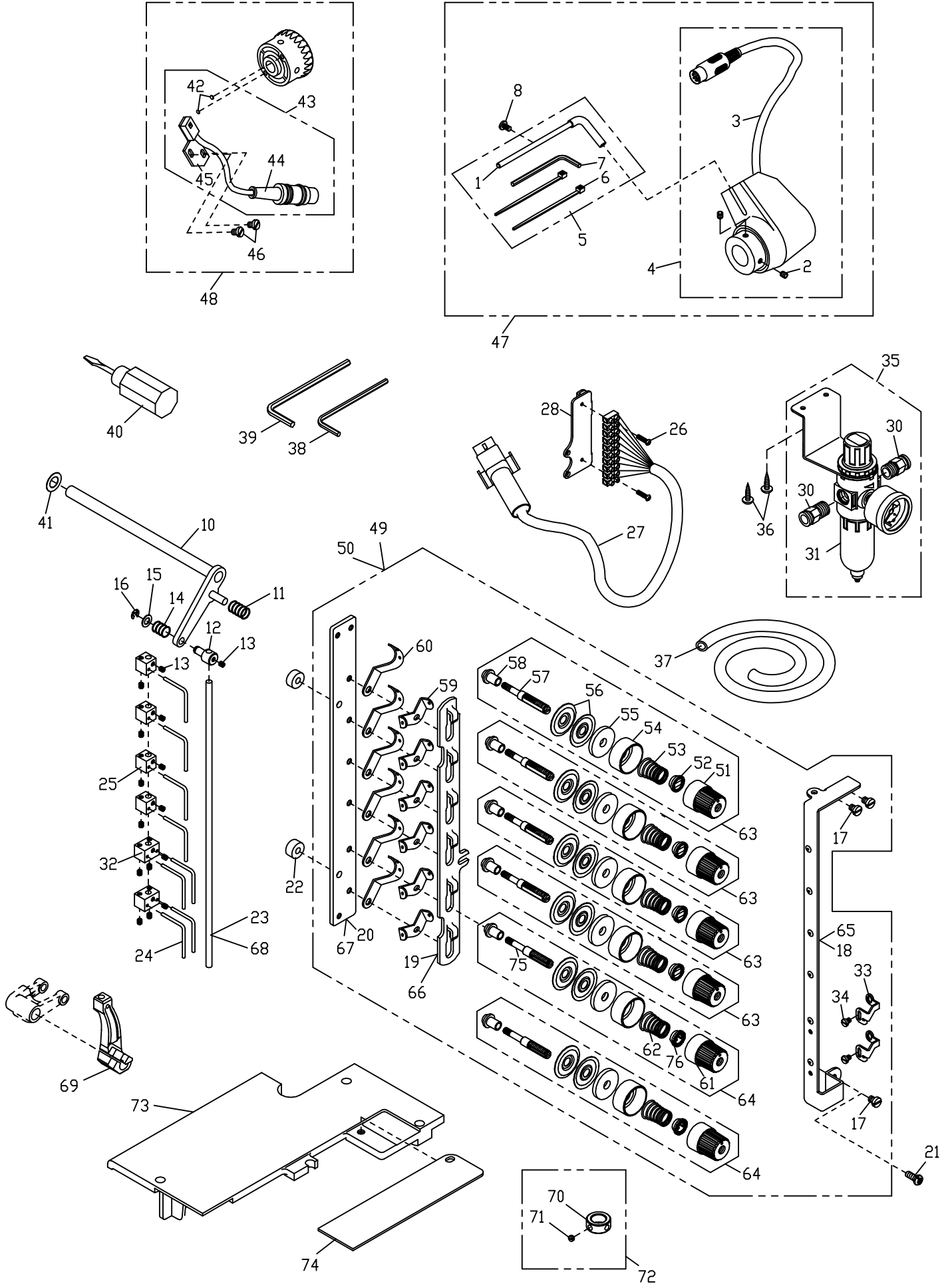
機型 Model UTD02C / UTD04C

序號 Ref.No.	24	27	33	57
用量 Req.	5	1	1	1

機型 Model UTD06C / UTD06BC

序號 Ref.No.	24	27	78	79
用量 Req.	4	-	1	1

# 4. UTD06 / UTD06B 鬆線機構及更換零件 Thread Tension Components And Motor Components

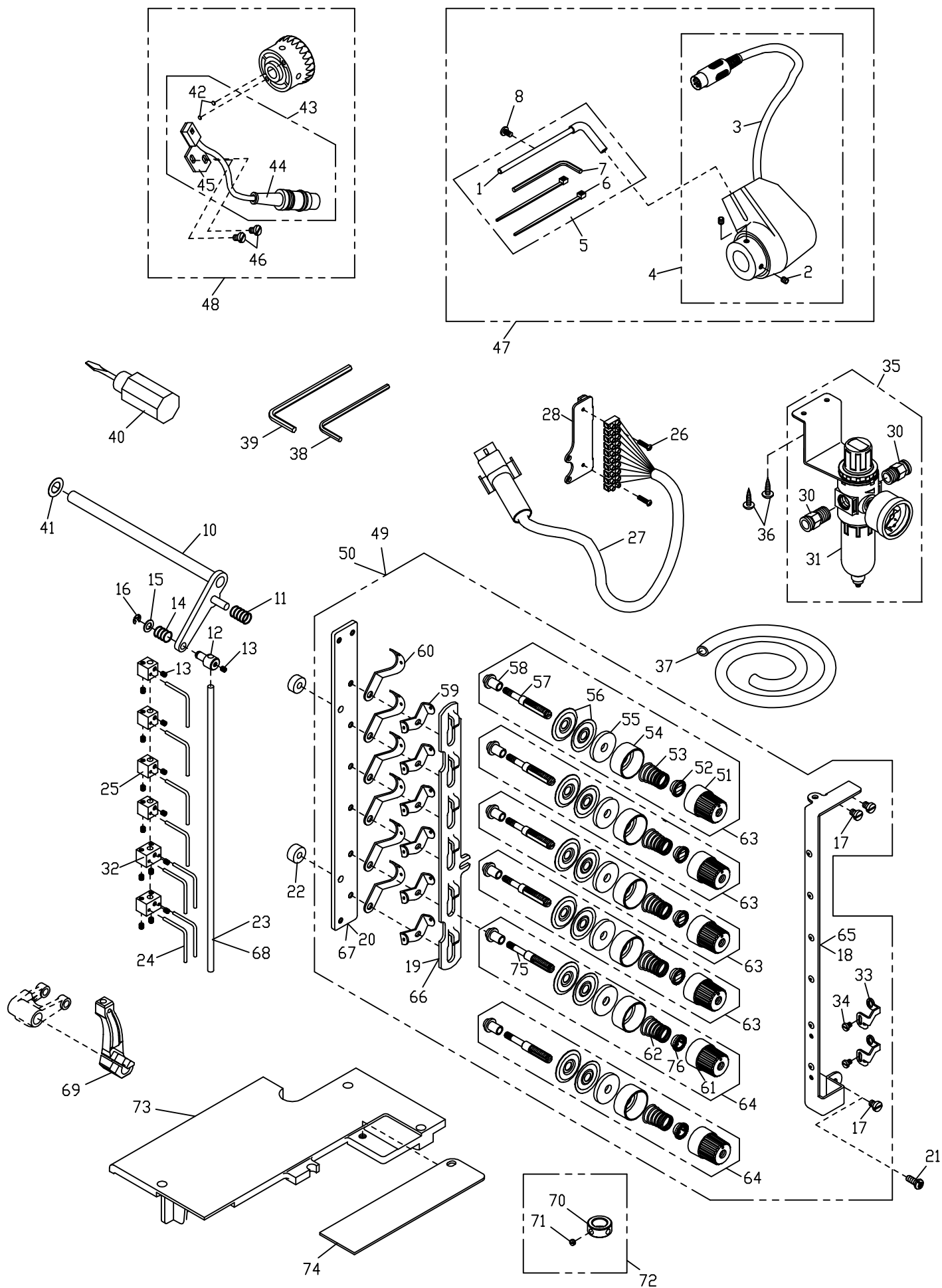


#### 4. UTD06 / UTD06B 鬆線機構及更換零件

##### Thread Tension Components And Motor Components

序號 Ref. No.	物料編號 Parts No.	名稱 Description	單位用量 Amt. Req.
1	4UTB020308	止動桿 Stopper -----	1
2	8MN06400600A	螺絲 Screw (CT0244 M6-1*6) -----	2
3	4UTB020303	針定位器 Synchronizer -----	1
4	4UTB02A0304	針定位器組 Mount- on Type Synchronizer -----	1
5	4UTB02A0305	止動桿組 Stopper Set Asm. -----	1
6	4UTB020306	束線 Plastic Binding Wire -----	2
7	4UTB020307	六角板手 Allen Key -----	1
8	8MC04281007A	螺絲 Screw (FT0217 M4-0.7*10) -----	1
9	-----	-----	-
10	4UTB000410	曲柄 Tension Release Shaft -----	1
11	4UTB000411	彈簧 Spring -----	1
12	4UTB000412	接頭 Pin -----	1
13	8MN03200300A	螺絲 Screw (CT0115 M3-0.5*3) (see the table) -----	-
14	4UTB000414	彈簧 Spring -----	1
15	2200001025	墊圈 Washer -----	1
16	90ER030	E 形扣環 E Ring -----	1
17	8MB04280507K	螺絲 Screw (FT0235 M4-0.7*5) -----	-
18	4UTB000418	導線 Thread Guide Eyelet -----	1
19	4UTB000419	鬆線滑板 Release Wedge -----	1
20	4UTB000420	導線座 Tension Post Support -----	1
21	8MC04281007D	螺絲 Screw (CT0113 M4-0.7*10) -----	-
22	4UTB000422	隔環 Spacer -----	2
23	4UTB000423	導桿 Guide Bar -----	1
24	4UTB000424	鬆線桿 Release Bar (see the table) -----	-
25	4UTB000425	鬆線座 Thread Pull-off Block (see the table) -----	-
26	8MC03201006D	螺絲 Screw (UTB0426 M3-0.5*10) -----	2
27	4UTB000427	換向閥用控制線 Terminal Holder -----	1
28	4UTD000328	端子座固定架 Terminal Holder Support -----	1
29	-----	-----	-
30	4UTB010456	8mm空氣管接頭 Connector -----	2
31	4UTB0004321	調壓濾水閥 Regulator -----	1
32	4UTB000434	鬆線座 Thread Pull-off Block (see the table) -----	-
33	4UTB000435	導線 Thread Guide Eyelet -----	2
34	8MB03200306X	螺絲 Screw (UTB0436 M3-0.5*3) -----	2
35	4UTB00A04582	調壓濾水閥組 Regulator Asm. -----	1
36	8WD30000015B	木螺絲 Wood Screw -----	2
37	4UTB010430	空氣管 Air Tube -----	1
38	66635	六角板手 Allen Key 2MM -----	1
39	66640	六角板手 Allen Key 2.5MM -----	1
40	66668	平口起子 Screwdriver -----	1
41	4UTB010459	墊圈 Washer -----	1
42	4BS0030102	磁鐵 Magnet -----	2
43	4UTB02A0345	內藏式定位器組 Built-in Type Synchronize Asm. -----	1
44	4BS0030104	內藏式定位器 Built-in Type Synchronize . -----	1
45	4UTB020351	定位器支架 Synchronizer Bracket -----	1
46	8MB04280608A	螺絲 Screw (UTB0130 M4-0.7*6) -----	2
*47	4UTB02A0347	外置式定位器組 Mount- on Type Synchronizer Set -----	1
*48	BS003	內藏式定位器組 Built-in Type Synchronize Asm. -----	1
49	4UTB02A0349	鬆線組 Thread Tension Mechanism -----	1
50	4UTB04A0349	鬆線組 Theard Tension Mechanism -----	1

# 4. UTD06 / UTD06B 鬆線機構及更換零件 Thread Tension Components And Motor Components



#### 4. UTD06 / UTD06B 鬆線機構及更換零件

##### Thread Tension Components And Motor Components

序號 Ref. No.	物料編號 Parts No.	名稱 Description	單位用量 Amt.Req.
51	2100001121	張力調整螺帽 Tension Nut ( Red ) ( SH1121)-----	-
52	2200000303	套管 Bushing -----	-
53	2100001123	彈簧 Spring ( Red ) ( SH1123)-----	-
54	2200000305	彈簧座 Spring Seat -----	-
55	2100001127	羊毛氈 Felt -----	-
56	2100001126	張力控制盤 Tension Disc -----	-
57	22000003081	螺樁 Stud -----	-
58	22000003091	隔環 Spacer -----	-
59	2100001121A	張力調整螺帽 Tension Nut ( Yellow ) ( SH1121)-----	-
60	2100041131	彈簧 Spring ( Yellow ) ( SH1131)-----	-
61	2200000311	導線 Thread Guide -----	-
62	2200000312	導線 Thread Guide -----	-
63	231A0001922	張力控制組 Thread Asm. ( Red ) -----	-
64	220A0000315	張力控制組 Thread Asm. ( Yellow ) -----	-
65	4UTB040318	導線 Thread Guide Eyelet -----	1
66	4UTB040319	鬆線滑板 Release Wedge -----	1
67	4UTB040320	導線座 Tension Post Support -----	1
68	4UTB040323	導桿 Guide Bar -----	1
69	4UTD0003511	擺動臂 Rocker Arm -----	1
70	2200000812	限動環 Stop Collar -----	1
71	8MH85240300A	螺絲 Screw (CT0813 M3.5-0.6*3) -----	2
72	220A0000839	定位環組 Collar Asm.-----	1
73	4UTD060373	封蓋 Rear Cover -----	1
74	4UTD060374	防塵蓋 Dust Cover -----	1
75	22000003611	螺樁 Stud -----	-
76	2100001122	止滑齒輪 Bush -----	-

\*: 選購,並須配合伺服馬達使用 <型號HVP-60,HVP-70,HVP-90>

\*: To choose and purchase: These two devices should be used together with AC servo motor <Model No:HVP-60,HVP-70,HVP-90>

機型 Model UTD06

針數 Number of needle \ 序號 Ref. No.	13	24	25	32	17	18	19	20	21	23	49	51	52	53
2 Needle without Spreader	8pcs.	4pcs.	2pcs.	1pcs.										
3 Needle without Spreader	10pcs.	5pcs.	3pcs.	1pcs.										
2 Needle with Spreader	11pcs.	6pcs.	2pcs.	2pcs.	2	1	1	1	1	1	1	3	3	3
3 Needle with Spreader	13pcs.	7pcs.	3pcs.	2pcs.										

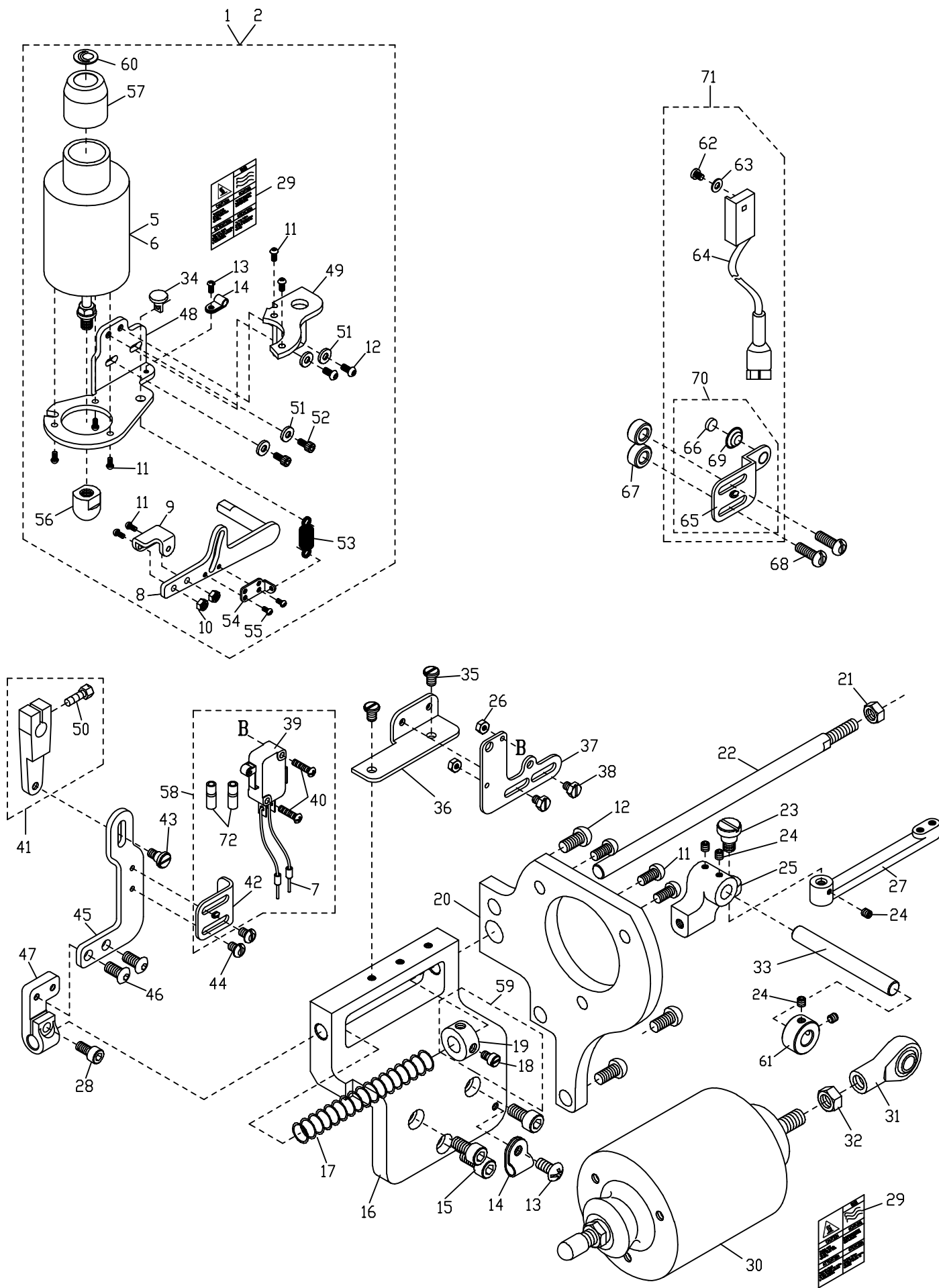
針數 Number of needle \ 序號 Ref. No.	54	55	56	57	58	59	60	61	62	63	64	75	76
2 Needle without Spreader													
3 Needle without Spreader													
2 Needle with Spreader	5	5	10	3	5	5	5	2	2	3	2	2	2
3 Needle with Spreader													

機型 Model UTD06B (4針6線 4 Needle 6 Thread)

針數 Number of needle \ 序號 Ref. No.	13	24	25	32	17	18	19	20	23	50	51	52	53
4 Needle without Spreader	12pcs.	6pcs.	4pcs.	1pcs.									
4 Needle without Spreader	15pcs.	8pcs.	4pcs.	2pcs.	3	1	1	1	1	1	4	4	4

針數 Number of needle \ 序號 Ref. No.	54	55	56	57	58	59	60	61	62	63	64	75	76
4 Needle without Spreader													
4 Needle without Spreader	6	6	12	4	6	6	6	2	2	4	2	2	2

# 5. UTE02 / UTE06 電控式組件 UTE02 / UTE06 Electric Type Components

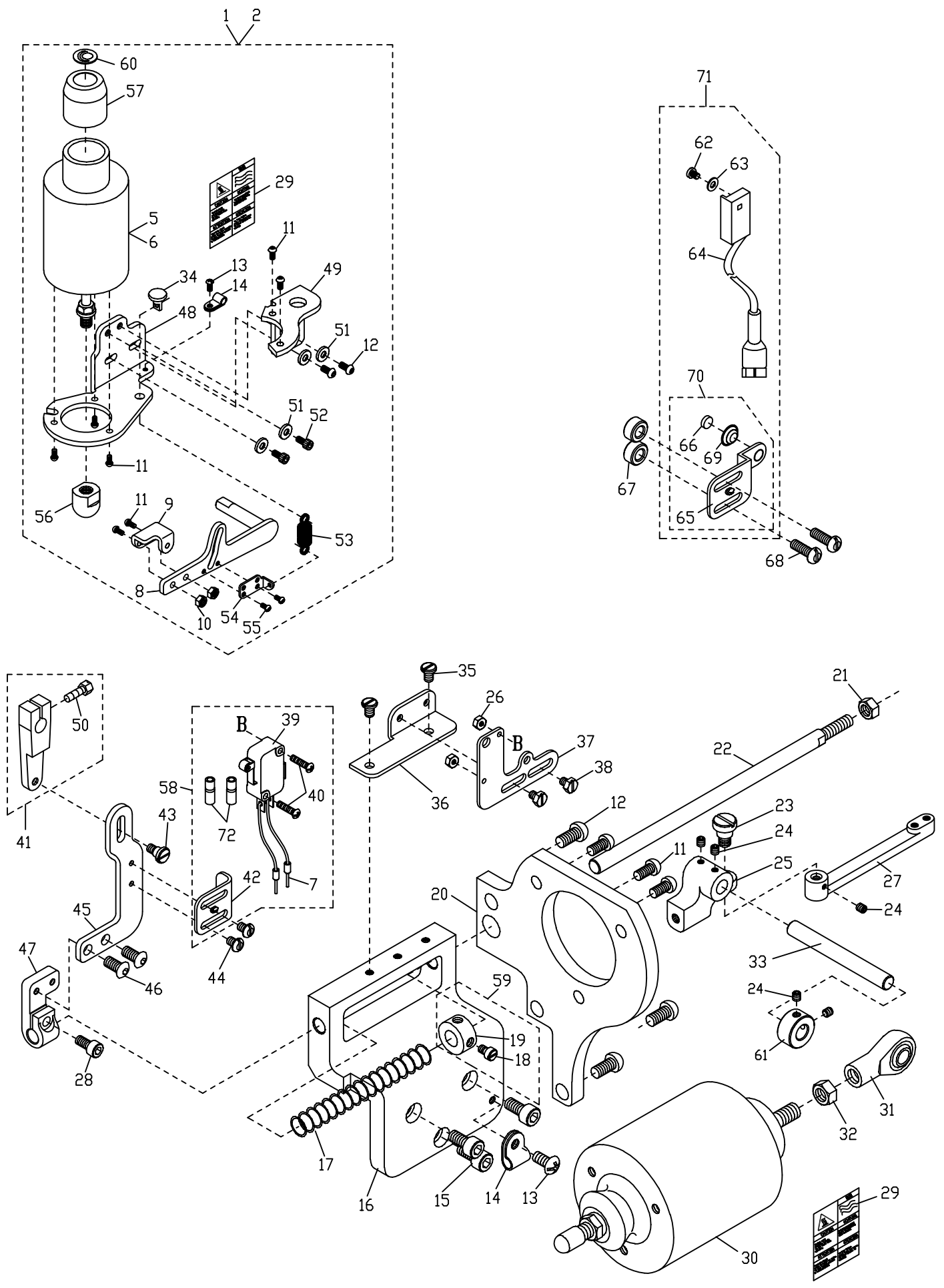


## 5. UTE02 / UTE06 電控式組件 UTE02 / UTE06 Electric Type Components

序號 Ref. No.	物料編號 Parts No.	名稱 Description	單位用量 Amt.Req.
1	PFE01	壓腳提昇組 Presser Foot Lifter,C.Set -----	1
◎ 2	PFE1P	壓腳提昇組 Presser Foot Lifter,C.Set -----	1
3	-----	-----	-
4	-----	-----	-
5	4PFE010101	磁力線圈 Presser Foot Lifter Solenoid -----	1
◎ 6	4PFE1P0121	磁力線圈 Presser Foot Lifter Solenoid -----	1
7	4UTB020272	公端子 Power cord -----	2
8	4UTC000108	揚昇臂 Lifter Arm -----	1
9	4UTC000109	輔助板 Supplementary Plate -----	1
10	8MA05320408A	螺帽 Nut (CT1028 M5-0.8*4) -----	2
11	8MP05321210A	螺絲 Screw (UTB0340 M6-1*11.5) -----	10
12	8MP06401211A	螺絲 Screw (UTB0302 M6-1*12) -----	5
13	8MC04280807D	螺絲 Screw (CT0130 M4-0.7*8) -----	2
14	4UTD000254	線夾 Cord Clamp -----	2
15	8MM06401210A	螺絲 Screw (FT1103 M6-1*12) -----	3
16	4UTD000252	空壓組件座 Trimming Cylinder Support-----	1
17	4UTC000112	彈簧 Spring -----	1
18	8MC95300606F	螺絲 Screw (CT0823 M4.5-0.75*5) -----	1
19	4UTB010245	定位環 Collar -----	1
20	4UTE0001201	磁力線圈座 Solenoid Barcket -----	1
21	8MA08500513A	螺帽 Nut (FTC10126 M8-1.25*5) -----	1
22	4UTD000222	軸 Shaft -----	1
23	4UTD000223	螺椿 Stud -----	1
24	8MN04280400A	螺絲 Screw (CT0229 M4-0.7*4) -----	-
25	4UTE000125	承座 Plunger -----	1
26	8MA03200306A	螺帽 Nut (FTB0111 M3-0.5*3) -----	2
27	4UTD0002271	連結桿 Connecting Rod -----	-
28	8MM05321209A	螺絲 Screw (FT0524 M5-0.8*12) -----	1
29	4UTC000139	貼紙 Paster-----	2
30	4UTC0001301	磁力線圈 Solenoid -----	1
31	4UTB010326	球軸連桿 Plunger Connecting Rod -----	1
32	8MA08500613A	螺帽 Nut (RP10208 M8-1.25*6) -----	1
33	4UTC0001251	軸 Shaft -----	1
34	4PFE010102	接頭 Joint -----	1
35	8MB04280607K	螺絲 Screw (MT0223 M4-0.7*6) -----	2
36	4UTD030203	基板 Base -----	1
37	4UTC020114	安全開關座 safety Switch Bracket -----	1
38	8MK04280507A	螺絲 Screw (WPC0106 M4-0.7*5) -----	2
39	4UTB000336	安全開關 Safety Switch -----	1
40	8MC03201606D	螺絲 Screw (UTB03351 M3-0.5*16) -----	2



# 5. UTE02 / UTE06 電控式組件 UTE02 / UTE06 Electric Type Components



## 5. UTE02 / UTE06 電控式組件 UTE02 / UTE06 Electric Type Components

序號 Ref. No.	物料編號 Parts No.	名稱 Description	單位用量 Amt.Req.
41	4UTB010337	曲柄 Tension Release Lever -----	1
42	4UTB020212	擋片 Stopper -----	1
43	8MB04280908G	螺椿 Stud (UTB0339 M4-0.7*8) -----	1
44	8MB04280507K	螺絲 Screw (FT0235 M4-0.7*5) -----	2
45	4UTD020245	連桿 Connecting Plate -----	1
46	8MP05320810A	螺絲 Screw (STB0117 M5-0.8*8) -----	2
47	4UTD020247	連結塊 Connecting Block -----	1
48	4PFE0101031	磁力線圈固定座 Bracker -----	1
49	4PFE010104	固定座 Bracker -----	1
50	8MK95301407A	螺絲 Screw (CT0837 M4.5-0.75*14) -----	1
51	2100000323	墊圈 Washer (SH0323) -----	4
52	8MM06401610A	螺絲 Screw (CT0625 M6-1*16) -----	2
53	4PFE010106	彈簧 Spring -----	1
54	4PFE010108	彈簧固定座 Bracket -----	1
55	8MB85240607K	螺絲 Screw (CT0637 M3.5-0.6*6) -----	2
56	4PFE010113	套管 Clutch Sleeve -----	1
57	4PFE010119	護蓋 Cover -----	1
58	4UTB02A0255	觸控支架組 One Touch Type Safety Switch SET. -----	1
59	4UTB01A0255	定位環組 Collar Asm.-----	1
60	66480-11	銘板 Plate -----	1
61	4UTB010152	定位環 Collar -----	1
*62	8SB44400507A	螺絲 Screw -----	1
*63	2200001025	墊圈 Washer -----	1
*64	4UTB020256	安全開關 Safety Switch -----	1
*65	4UTB020259	支架 Knife Holder Bracket -----	1
*66	4UTB000444	磁鐵 Magnet -----	1
*67	2200001141	隔環 Spacer -----	2
*68	8MB04281207K	螺絲 Screw (CT0239 M4-0.7*12) -----	2
*69	4UTB020250	銅扣 Brass Button -----	1
*70	4UTB02A0249	支架組 Knife Holder Bracket Asm.-----	1
*71	4UTB02A0253	磁控支架組 Magnetic Type Safety Switch SET. -----	1
72	4UTB020228	絕緣套管 Bushing -----	2

\* 磁控支架組用 For Magnetic Type Safety Sw.

\* 須配合伺服馬達使用 (型號 : HVP-60,HVP-70) Should be used together with AC servo motor (Model : HVP-60,HVP-70)

◎ 配合 RP 使用

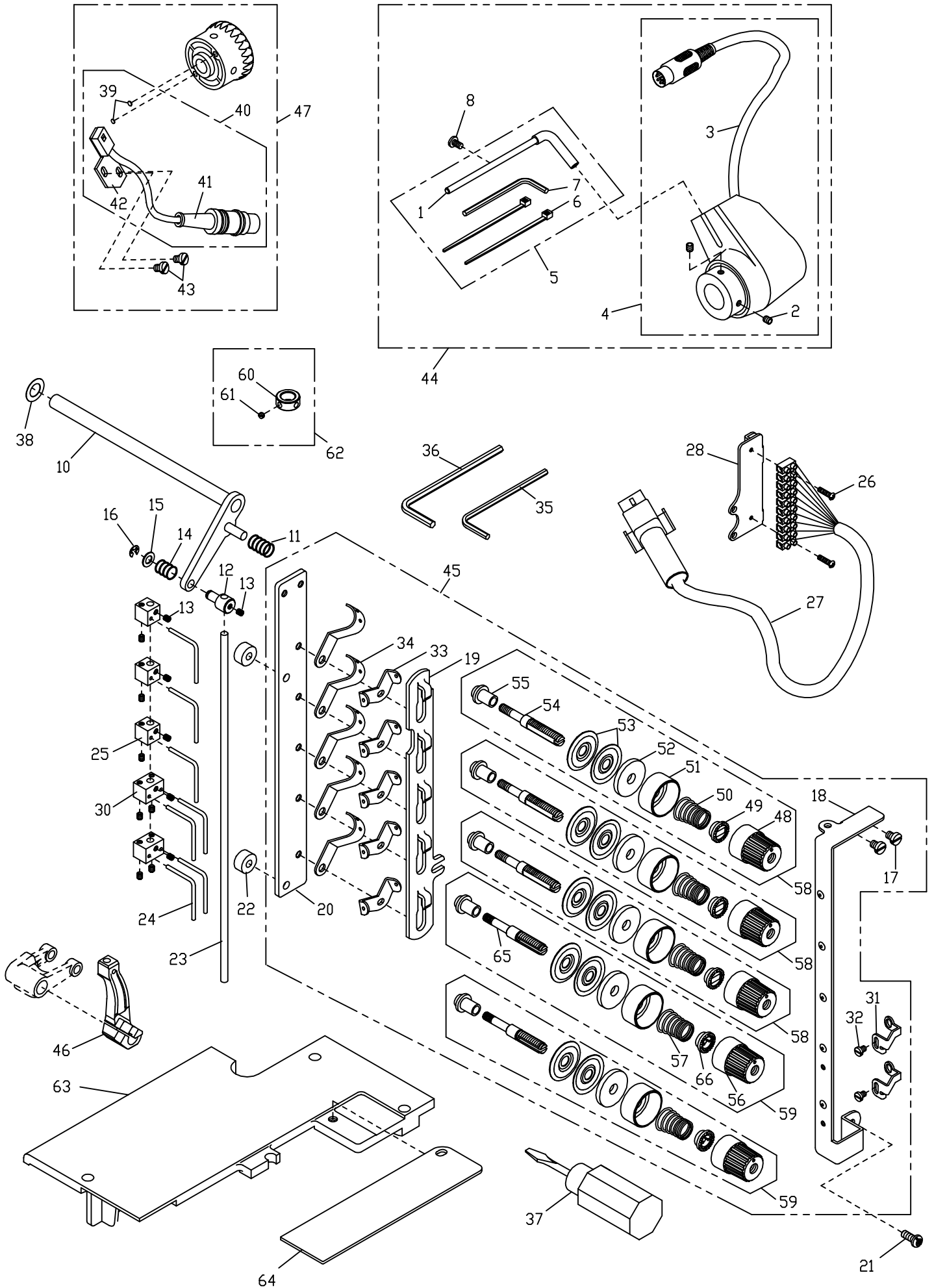
機型 Model UTE02

序號 Ref.No.	24	27
用量 Req.	5	1

機型 Model UTE06

序號 Ref.No.	24	27
用量 Req.	4	-

# 6. UTE06 鬆線機構及更換零件 Thread Tension Components And Motor Components



## 6. UTE06 鬆線機構及更換零件 Thread Tension Components And Motor Components

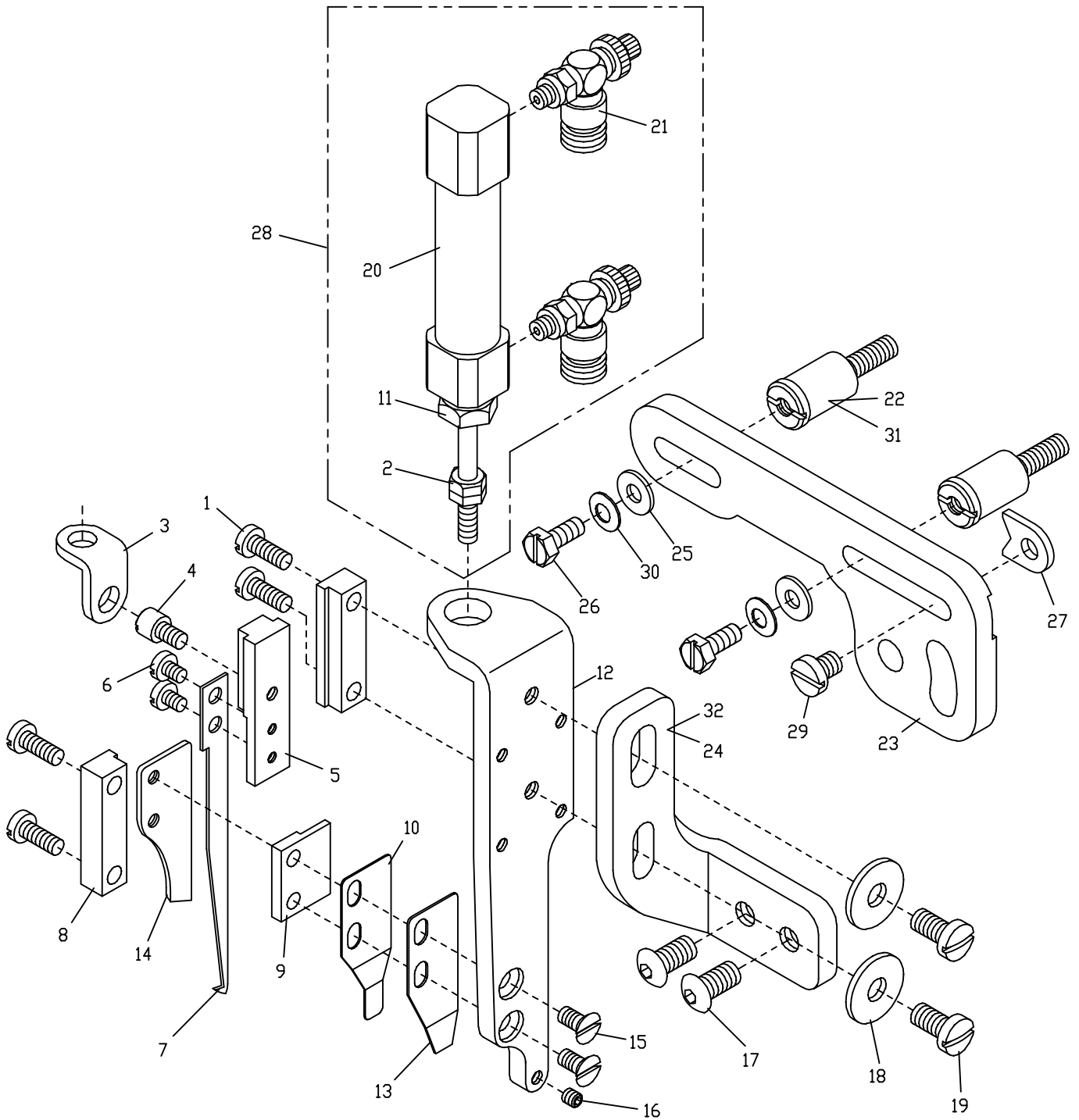
序號 Ref. No.	物料編號 Parts No.	名稱 Description	單位 Amt.	用量 Req.
1	4UTB020308	止動桿 Stopper -----	1	1
2	8MN06400600A	螺絲 Screw (CT0244 M6-1*6) -----	2	2
3	4UTB020303	針定位器 Synchronizer -----	1	1
4	4UTB02A0304	針定位器組 Mount- on Type Synchronizer -----	1	1
5	4UTB02A0305	止動桿組 Stopper Set Asm. -----	1	1
6	4UTB020306	束線 Plastic Binding Wire -----	2	2
7	4UTB020307	六角板手 Allen Key -----	1	1
8	8MC04281007A	螺絲 Screw (CT0113 M4-0.7*10) -----	1	1
9		-----	-	-
10	4UTB000410	曲柄 Tension Release Shaft -----	1	1
11	4UTB000411	彈簧 Spring -----	1	1
12	4UTB000412	接頭 Pin -----	1	1
13	8MN03200300A	螺絲 Screw (CT0115 M3-0.5*3) (see the table) -----	-	-
14	4UTB000414	彈簧 Spring -----	1	1
15	2200001025	墊圈 Washer -----	1	1
16	90ER030	E 形扣環 E Ring -----	1	1
17	8MB04280507K	螺絲 Screw (FT0235 M4-0.7*16) -----	2	2
18	4UTB000418	導線 Thread Guide Eyelet -----	1	1
19	4UTB000419	鬆線滑板 Release Wedge -----	1	1
20	4UTB000420	導線座 Tension Post Support -----	1	1
21	8MC04281007D	螺絲 Screw (CT0113 M4-0.7*10) -----	1	1
22	4UTB000422	隔環 Spacer -----	2	2
23	4UTB000423	導桿 Guide Bar -----	1	1
24	4UTB000424	鬆線桿 Release Bar (see the table) -----	-	-
25	4UTB000425	鬆線座 Thread Pull-off Block (see the table) -----	-	-
26	8MC03201006D	螺絲 Screw (UTB0426 M3-0.5*10) -----	2	2
27	4UTB000427	換向閥用控制線 Terminal Holder -----	1	1
28	4UTD000328	端子座固定架 Terminal Holder Support -----	1	1
29		-----	-	-
30	4UTB000434	鬆線座 Thread Pull-off Block (see the table) -----	-	-
31	4UTB000435	導線 Thread Guide Eyelet -----	2	2
32	8MB03200306X	螺絲 Screw (UTB0436 M3-0.5*3) -----	2	2
33	2200000311	導線 Thread Guide -----	5	5
34	2200000312	導線 Thread Guide -----	10	10
35	66635	六角板手 Allen Key 2MM -----	1	1
36	66640	六角板手 Allen Key 2.5MM -----	1	1
37	66668	平口起子 Screwdriver -----	1	1
38	4UTB010459	墊圈 Washer -----	1	1
39	4BS0030102	磁鐵 Magnet -----	2	2
40	4UTB02A0345	內藏式定位器組 Built-in Type Synchronize Asm. -----	1	1
41	4BS0030104	內藏式定位器 Built-in Type Synchronize. -----	1	1
42	4UTB020351	定位器支架 Synchronizer Bracket -----	1	1
43	8MB04280608A	螺絲 Screw (UTB0130 M4-0.7*6) -----	2	2
*44	4UTB02A0347	外置式定位器組 Mount- on Type Synchronizer Set-----	1	1
45	4UTB02A0349	鬆線組 Thread Tension Mechanism -----	1	1
46	4UTD0003511	擺動臂 Rocker Arm -----	1	1
*47	BS003	內藏式定位器組 Built-in Type Synchronize Asm. -----	1	1
48	2100001121	張力調整螺帽 Tension Nut ( Red ) ( SH1121)-----	3	3
49	2200000303	套管 Bushing -----	3	3
50	2100001123	彈簧 Spring ( Red ) ( SH1123)-----	3	3
51	2200000305	彈簧座 Spring Seat -----	5	5
52	2100001127	羊毛氈 Felt -----	5	5
53	2100001126	張力控制盤 Tension Disc -----	10	10
54	22000003081	螺樁 Stud -----	3	3
55	22000003091	隔環 Spacer -----	5	5
56	2100001121A	張力調整螺帽 Tension Nut ( Yellow ) ( SH1121)-----	2	2
57	2100041131	彈簧 Spring ( Yellow ) ( SH1131)-----	2	2
58	231A00001922	張力控制組 Tension Asm. (Red) -----	3	3
59	220A0000315	張力控制組 Tension Asm. (Yellow) -----	2	2
60	2200000812	限動環 Stop Collar -----	1	1
61	8MH85240300A	螺絲 Screw (CT0813 M3.5-0.6*3) -----	2	2
62	220A0000839	定位環組 Collar Asm.-----	1	1
63	4UTD060373	封蓋 Rear Cover -----	1	1
64	4UTD060374	防塵蓋 Dust Cover -----	1	1
65	22000003611	螺樁 Stud -----	2	2
66	2100001122	止滑齒輪 Bush -----	2	2

Ref. No.	13	24	25	30
2 Needle without Spreader	8pcs.	4pcs.	2pcs.	1pcs.
3 Needle without Spreader	10pcs.	5pcs.	3pcs.	1pcs.
2 Needle with Spreader	11pcs.	6pcs.	2pcs.	2pcs.
3 Needle with Spreader	13pcs.	7pcs.	3pcs.	2pcs.

\*:選購,並須配合伺服馬達使用 <型號HVP-60,HVP-70,HVP-90>

\*:To choose and purchase: These two devices should be used together with AC servo motor <Model No:HVP-60,HVP-70,HVP-90>

# 7. STB02 / STB03 / STD / STD03 上切線機構 Spreader Thread Trimmer Components For STB02 / STB03 / STD / STD03



## 7. STB02 / STB03 / STD / STD03 上切線機構

### Sprearer Thread Trimmer Components For STB02 / STB03 / STD / STD03

序號 Ref.No.	物料編號 Parts No.	名稱 Description	單位用量 Amt.Req.
1	8MB03200806K	螺絲 Screw (CT0623 M3-0.5*8)-----	4
2	8MA04280307A	螺帽 Nut (CT0238 M4-0.7*3)-----	2
3	4STB000103	接頭 Joint -----	1
4	8MB03200505A	螺椿 Stud (STB0104 M3-0.5*5)-----	1
5	4STB000105	活動刀座 Upper Movable Knife Base -----	1
6	8MB75180205A	螺絲 Screw (UTB0113 M2.5-0.45*3)-----	2
7	4STB000107	活動刀 Upper Movable Knife -----	1
8	4STB000108	滑道 Slide Block -----	2
9	4STB000109	滑道 Knife Guide -----	1
10	4STB000110	簧片 Thread Clamp Spring-----	1
11	8MA08400311A	螺帽 Nut (UTA0318)-----	1
12	4STB000112	氣缸座 Cylinder Holder -----	1
13	4STB000113	簧片 Knife Pressure Spring -----	1
14	4STB000114	固定刀片 Fixed Knife -----	1
15	8ME03200906A	螺絲 Screw (STB0115 M3-0.5*7)-----	2
16	8MN03200500A	螺絲 Screw (RP10331 M3-0.5*5)-----	1
17	8MP05320810A	螺絲 Screw (STB0117 M5-0.8*8)-----	2
18	2200000908	墊圈 Washer -----	2
19	8MC04280807A	螺絲 Screw (CT0120 M4-0.7*8)-----	2
20	4STB000120	氣壓缸 Cylinder-----	1
21	4STB000121	節流閥 Speed Controller -----	2
22	4STB020122	螺椿 Stud -----	-
23	4STB020123	支架 Knife Holder Bracket -----	1
24	4STB000124	支架 Knife Holder Bracket -----	-
25	2100000223	墊圈 Spring Washer -----	2
26	8MK04281007A	螺絲 Screw (FT0217 M4-0.7*10)-----	2
27	4STB020127	定位塊 Knock Block -----	1
28	4STB00A0127	氣壓缸組 Cylinder Asm.-----	1
29	8MB04280508A	螺絲 Screw (UTB20127 M4-0.7*5.5)-----	1
30	90DW040	碟形墊圈 Disk Washer -----	2
31	4STB030122	螺椿 Stud -----	-
32	4STD000124	支架 Knife Holder Bracket -----	-

STB02 (CT6500 / CT9000 / CT9711 機型用)

序號	22	24
用量	2	1

STB03 (CTD9000 / CTD9711 / CX2000 / CXD2000 / CXD2711 機型用)

序號	31	24
用量	2	1

STD (FT6500 / FT7000 機型用)

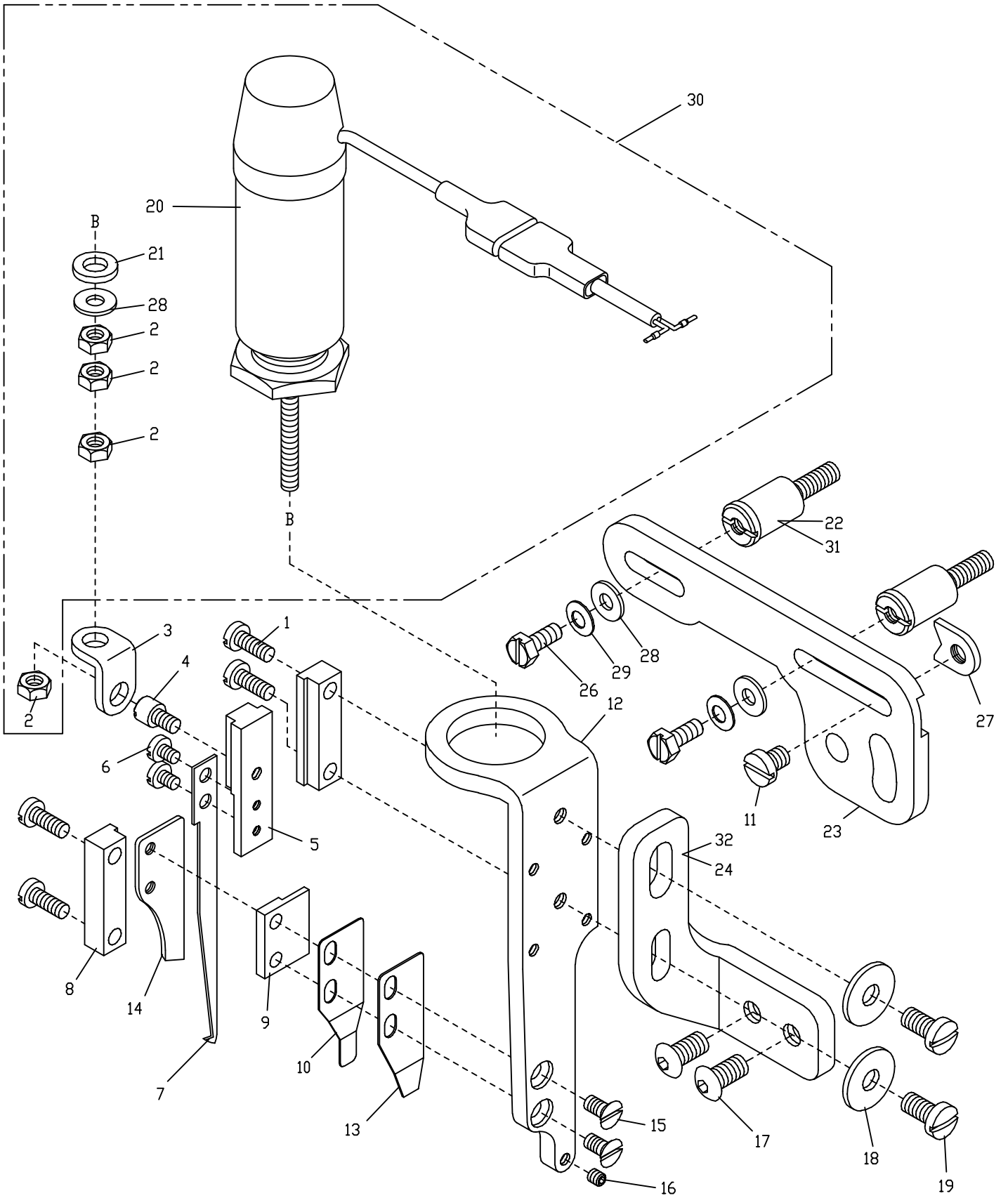
序號	22	32
用量	2	1

STD03 (FTD7000 機型用)

序號	31	32
用量	2	1

# 8. STC02 / STC03 / STE / STE03 上切線機構

## Spreader Thread Trimmer Components For STC02 / STC03 / STE / STE03



## 8. STC02 / STC03 / STE / STE03 上切線機構

### Spreader Thread Trimmer Components For STC02 / STC03 / STE / STE03

序號 Ref. No.	物料編號 Parts No.	名稱 Description	單位用量 Amt. Req.
1	8MB03200806K	螺絲 Screw (CT0623 M3-0.5*8)-----	4
2	8MA04280207A	螺帽 Nut (STC020102 M4-0.7*2.5)-----	4
3	4STB000103	接頭 Joint -----	1
4	8MB03200505A	螺樁 Stud (STB0104 M3-0.5*5) -----	1
5	4STB000105	活動刀座 Upper Movable Knife Base -----	1
6	8MB75180205A	螺絲 Screw (UTB0113 M2.5-0.45*2)-----	2
7	4STB000107	活動刀片 Upper Movable Knife -----	1
8	4STB000108	滑道 Slide Block -----	2
9	4STB000109	滑道 Knife Guide -----	1
10	4STB000110	簧片 Thread Clamp Spring -----	1
11	8MB04280508A	螺絲 Screw (UTB20127 M4-0.7*5.5)-----	1
12	4STC0001121	磁力線圈座 Solenoid Bracket -----	1
13	4STB000113	簧片 Knife Pressure Spring -----	1
14	4STB000114	固定刀片 Fixed Knife -----	1
15	8ME03200906A	螺絲 Screw (STB0115 M3-0.5*7) -----	2
16	8MN03200500A	螺絲 Screw (RP10331 M3-0.5*5)-----	1
17	8MP05320810A	螺絲 Screw (STB0117 M5-0.8*8) -----	2
18	2200000908	墊圈 Washer -----	2
19	8MC04280807A	螺絲 Screw (CT0120 M4-0.7*8)-----	2
20	4STC0201201	磁力線圈 Solenoid -----	1
21	4STC000121	減震墊 Rubber Cushion -----	1
22	4STB020122	螺樁 Stud -----	-
23	4STB020123	支架 Knife Holder Bracket -----	1
24	4STB000124	支架 Knife Holder Bracket -----	-
25	-----	-----	-
26	8MK04281007A	螺絲 Screw (FT0217 M4-0.7*10) -----	2
27	4STB020127	定位塊 Knock Block -----	1
28	2100000223	墊圈 Spring Washer -----	3
29	90DW040	碟形墊圈 Disk Washer -----	2
30	4STC02A0130	磁力線圈組 Solenoid Asm. -----	1
31	4STB030122	螺樁 Stud -----	-
32	4STD000124	支架 Knife Holder Bracket -----	-

STC02 (CT6500 / CT9000 / CT9711 機型用)

序號	22	24
用量	2	1

STC03 (CTD9000 / CTD9711 / CX2000 / CXD2000 / CXD2711 機型用)

序號	31	24
用量	2	1

STE (FT6500 / FT7000 機型用)

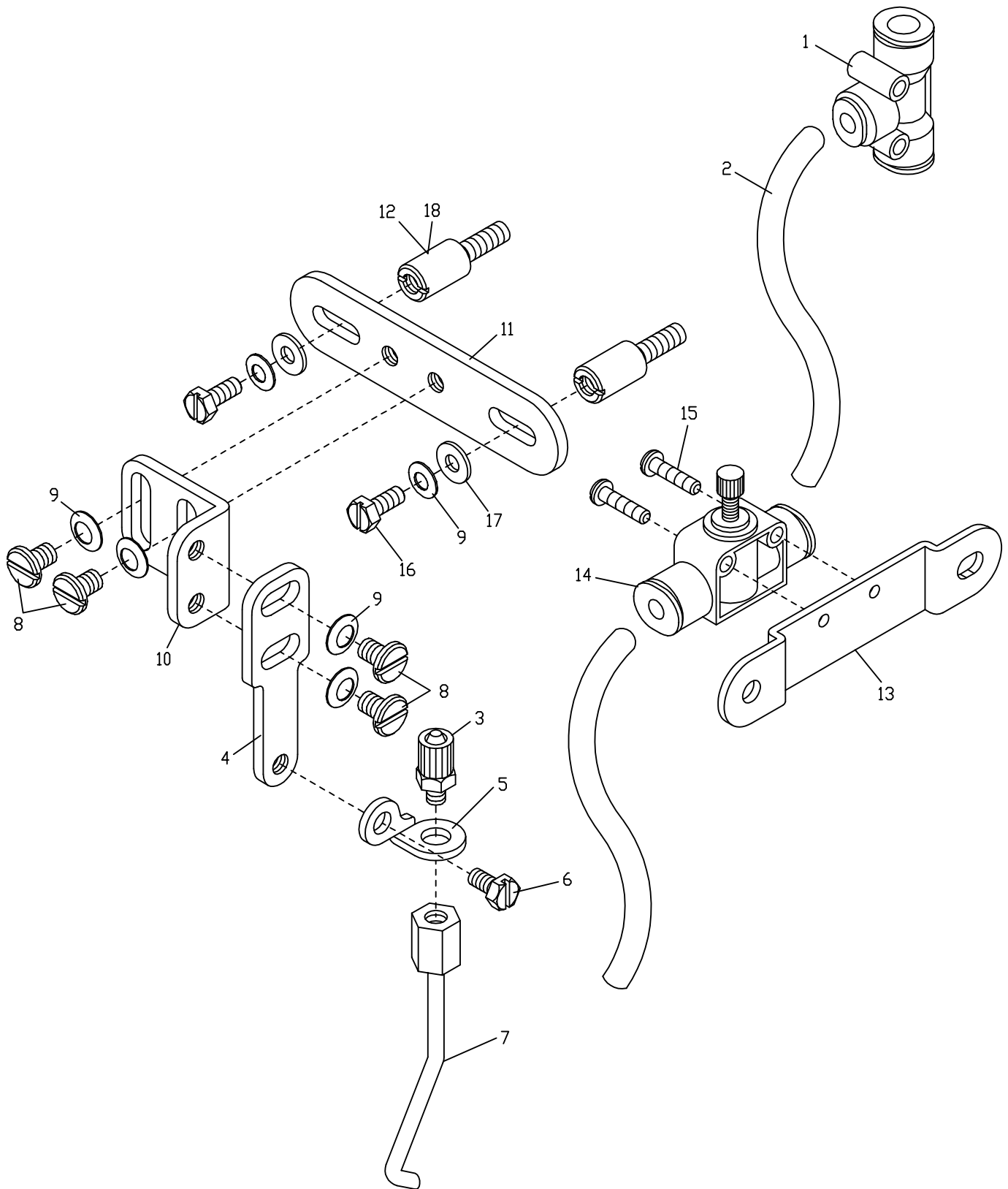
序號	22	32
用量	2	1

STE03 (FTD7000 機型用)

序號	31	32
用量	2	1



# 9. WPC / WPC02 吹氣式撥線裝置 Air-Wipe Components



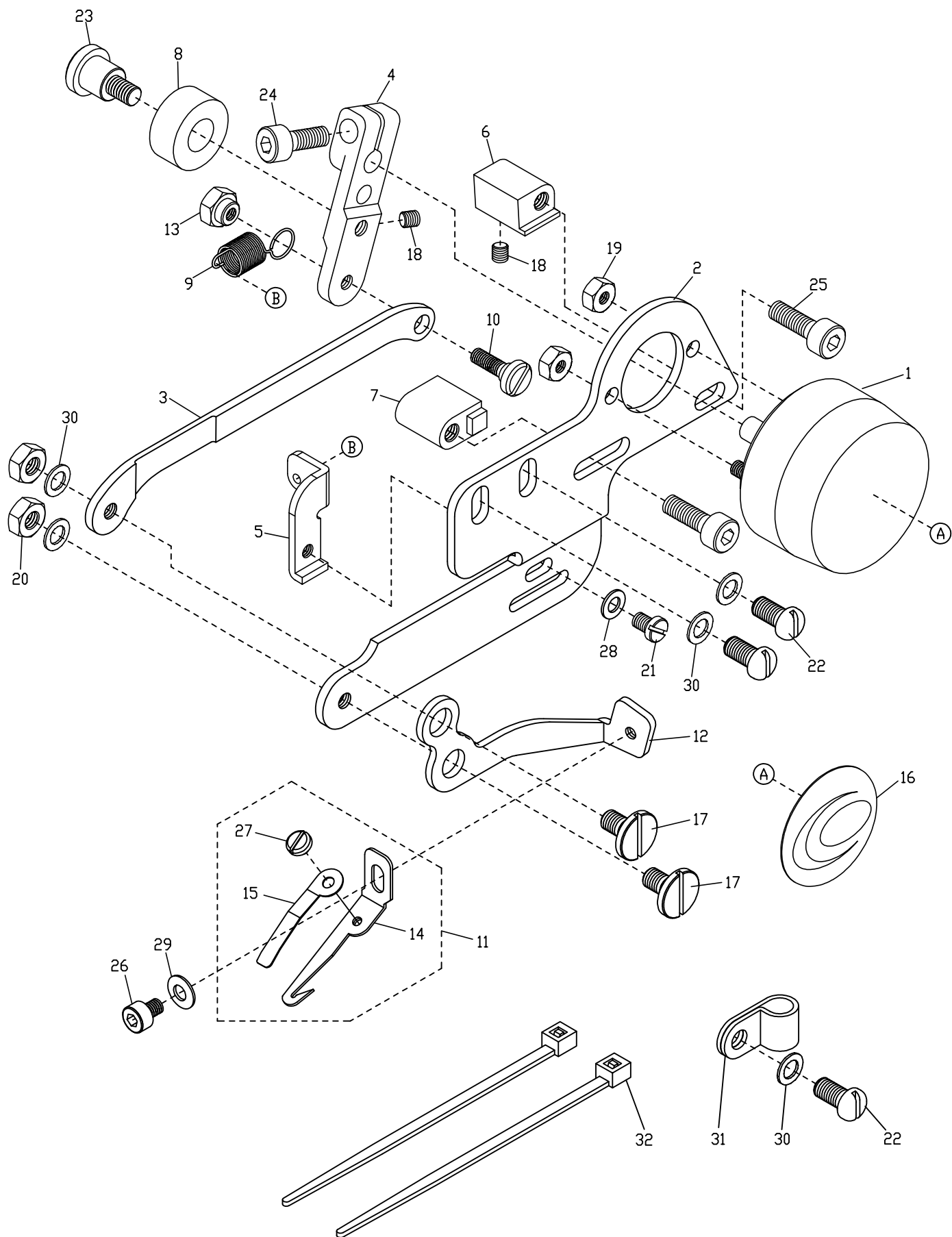
## 9.WPC / WPC02 吹氣式撥線裝置 Air-Wipe Components

序號 Ref. No.	物料編號 Parts No.	名稱 Description	單位用量 Amt.Req.
1	4WPC000101	T 型管接頭 T Connector -----	1
2	4WPC000102	空氣管 Air Tube -----	2
3	4WPC000103	接頭 Controller -----	1
4	4WPC000104	支持臂 Holder Arm -----	1
5	4WPC000105	支架 Holder Bracket -----	1
6	8MK04280507A	螺絲 Screw (WPC0106 M4-0.7*5) -----	1
7	4WPC000107	吹氣管 Blow Tube -----	1
8	8MB04280608A	螺絲 Screw (UTB0130 M4-0.7*6) -----	4
9	90DW040	皿型墊圈 Dick Washer -----	6
10	4WPC000110	基板座 Connecting Bracket -----	1
11	4WPC000111	支架 Knife Holder Bracket -----	1
*12	4STB020122	螺樁 Stud -----	2
13	4WPC0001131	支架 Holder Bracket -----	1
14	4WPC000114	節流閥 Speed Controller -----	1
15	8MC03201306D	螺絲 Screw (WPC0115 M3-0.5*12.5) -----	2
16	8MK04281007A	螺絲 Screw (FT0217 M4-0.7*10)-----	2
17	90PW040	墊圈 Spring Washer -----	2
**18	4STB030122	螺樁 Stud -----	2

\* : WPC 用

\*\* : WPC02 用 (CTD9000 / CTD9711 / FTD7000 / CX2000 / CXD2000 / CXM2000 / CXD2711機型)

# 10. WPH01 電控式撥線裝置 WPH01 Thread-Wipe Components



## 10. WPH01 電控式撥線裝置 WPH01 Thread-Wipe Components

序號 Ref.No.	物料編號 Parts No.	名稱 Description	單位用量 Amt. Req.
1	4WPG0101011	磁力線圈 Wiper Solenoid -----	1
2	4WPH010102	支架 Solenoid Support -----	1
3	4WPG0101032	連桿 Arm -----	1
4	4WPG010104	驅動臂 Driving Lever -----	1
5	4WPG010105	支架 Solenoid Support -----	1
6	4WPG010106	限動塊 Stop Block -----	1
7	4WPG010107	限動塊 Stop Block -----	1
8	4WPG010108	減震墊 Rubber cushion -----	1
9	4WPG010109	彈簧 Spring -----	1
10	4WPG010110	螺樁 Stud (WPG0110) -----	1
11	4WPG01A0111	抓線鉤組 Hook Asm -----	1
12	4WPH010112	連桿 Arm -----	1
13	4WPG010113	螺帽 Nut -----	1
14	4WPG010114	抓線鉤 Hook -----	1
15	4WPG010115	夾簧 Latch Spring -----	1
16	66485-10	銘板 Plate -----	1
17	8MB04280810G	螺樁 Stud (WPG0117) -----	2
18	8MN03200300A	螺絲 Screw (CT0115 M3-0.5*3) -----	2
19	8MA03200306A	螺帽 Nut (FTB0111 M3-0.5*3) -----	2
20	8MA04280307A	螺帽 Nut (CT0238 M4-0.7*3) -----	2
21	8MB03200606K	螺絲 Screw (CT1207 M3-0.5*6) -----	1
22	8MB04280807K	螺絲 Screw (CT0215 M4-0.7*8) -----	3
23	8MB04281210E	螺樁 Stud (WPG0123) -----	1
24	8MM04281007A	螺絲 Screw (FT0203 M4-0.7*10) -----	1
25	8MM04281207A	螺絲 Screw (CT0202 M4-0.7*12) -----	2
26	8MM03200406A	螺絲 Screw (WPB0116 M3-0.5*4) -----	1
27	8SB24560205A	螺絲 Screw (SH1011 3/32"-56*2) -----	1
28	90PW030	墊圈 Washer -----	1
29	90DW030	碟形墊圈 Disk Washer -----	1
30	90DW040	碟形墊圈 Disk Washer -----	5
31	4UTD000254	線夾 Cord Clamp -----	1
32	4UTB020306	束線 Plastic Binding Wire -----	2